

Waterproof
1m depth for 30 minutes

**DSC Built-in
Class D**

**GREAT EAR,
GREAT SOUND,
GREAT VALUE!**



- **Powerful, compact, class D DSC at a competitive price**
- **Superior receiver sensitivity* receives very weak signals**
(* -5dBμ typical, emf at 20dB SINAD)
- **Improved speaker provides better bass sound**
- **IPX7 equivalent waterproof construction**
(1m depth for 30 minutes, except cables)
- **Favourite channel function**
- **Dualwatch and Tri-watch functions**
- **External GPS receiver connection**
(NMEA 0183 format)

AquaQuake draining function

If water is in the speaker grill and muffles the audio, Icom's unique AquaQuake draining function emits a buzzing sound which sheds water from the speaker, assuring you sharp, clear communications.



The AquaQuake draining function blows water away from the speaker. (Above photo is for illustrative purposes only)

SPECIFICATIONS

GENERAL

- Frequency range* : Tx 156.000–161.450MHz
Rx 156.000–163.425MHz
Ch. 70 Rx 156.525MHz
* Frequency range that may be subject to licensing conditions.
- Type of emission : 16K0G3E (FM), 16K0G2B (DSC)
- Usable channel groups : INT, USA* channels
* Available depending on version
- Power supply : 13.8V DC (10.8 to 15.6V DC)
- Current drain (at 13.8V DC):
Tx high (25W) 5.5A Max.
Rx Max. audio 1.5A Max.
- Operating temp. range: –20°C to +60°C
- Antenna connector : SO-239 (50Ω)
- Dimensions : 164(W)×78(H)×139.5(D) mm
(projections not included)
- Weight (approx.) : 1.08kg
- GPS interface : NMEA0183 ver 2.0, 3.01
RMC, GGA, GNS, GLL sentence.

Supplied accessories:

- DC power cable
- Mounting bracket kit
- Microphone hanger

TRANSMITTER

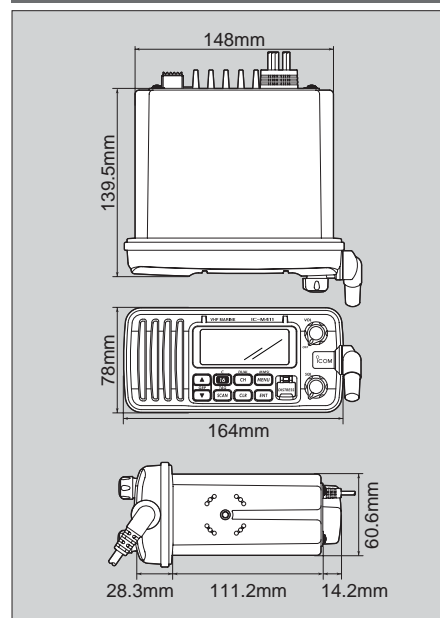
- Output power : 25W/1W (at 13.8V DC)
- Max. Freq. deviation: ±5.0kHz
- Frequency stability : Less than ±1.5kHz
- Spurious emissions : Less than 0.25μW
- Adjacent Ch. power : More than 70dB
- Audio harmonic distortion: Less than 10%
(at 1kHz, 60% deviation)
- Residual modulation: More than 40dB

RECEIVER

- Sensitivity : –5dBμ emf typical (20dB SINAD)
- Squelch sensitivity : Less than –3dBμ emf
- Adj. Ch. selectivity : More than 70dB
- Spurious response : More than 70dB
- Intermodulation : More than 68dB
- Hum and noise : More than 40dB
- Audio output power : More than 2W (at 10% distortion with a 4Ω load)

Measurements made in accordance with EN 301 025.
All stated specifications are subject to change without notice or obligation.

DIMENSIONS



OPTIONS

- **HM-164B HAND MICROPHONE**
Regular type hand microphone. Same as supplied.

- **MB-69 FLUSH MOUNT KIT**

For flush-mounting the IC-M411 to a flat surface such as an instrument control panel.

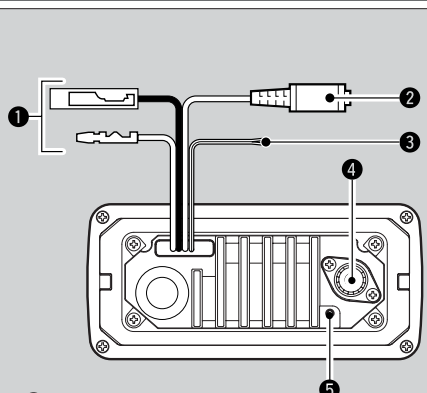


- **OPC-1758 ANTENNA FLOATING CABLE**

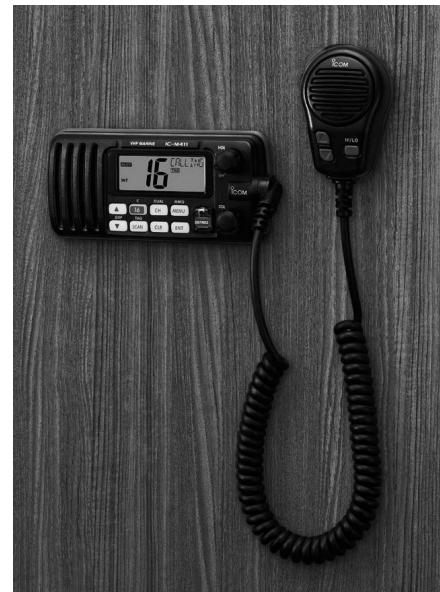
Isolates the radio from the antenna ground and provides floating ground connection.



REAR PANEL CONNECTIONS



- 1 DC power connector
- 2 External speaker connector
- 3 GPS receiver lead; (+): Red, (-): Black
- 4 Antenna connector
- 5 Ground terminal



Icom, Icom Inc. and the Icom logo are registered trademarks of Icom Incorporated (Japan) in the United States, the United Kingdom, Germany, France, Spain, Russia and/or other countries.

Icom Inc. 1-1-32, Kami-minami, Hirano-ku, Osaka 547-0003, Japan Phone: +81 (06) 6793 5302 Fax: +81 (06) 6793 0013 URL: <http://www.icom.co.jp/world/index.html>

Count on us!

Icom America Inc.

2380 116th Avenue NE,
Bellevue, WA 98004, U.S.A.
Phone : +1 (425) 454-8155
Fax : +1 (425) 454-1509
E-mail : sales@icomamerica.com
URL : <http://www.icomamerica.com>

Icom New Zealand

146A Harris Road, East Tamaki,
Auckland, New Zealand
Phone : +64 (09) 274 4062
Fax : +64 (09) 274 4708
E-mail : inquiries@icom.co.nz
URL : <http://www.icom.co.nz>

Icom (UK) Ltd.

Unit 9, Sea St., Herne Bay,
Kent, CT6 8LD, U.K.
Phone : +44 (01227) 741741
Fax : +44 (01227) 741742
E-mail : info@icomuk.co.uk
URL : <http://www.icomuk.co.uk>

Asia Icom Inc.

6F No. 68, Sec. 1 Cheng-Teh Road,
Taipei, Taiwan, R.O.C.
Phone : +886 (02) 2559 1899
Fax : +886 (02) 2559 1874
E-mail : sales@asia-icom.com
URL : <http://www.asia-icom.com>

Your local distributor/dealer:

Icom Canada

Glenwood Centre #150-6165 Highway 17,
Delta, B.C., V4K 5B8, Canada
Phone : +1 (604) 952-4266
Fax : +1 (604) 952-0090
E-mail : info@icomcanada.com
URL : <http://www.icomcanada.com>

Icom (Europe) GmbH

Communication Equipment
Himmelgeister Str. 100,
D-40225 Düsseldorf, Germany
Phone : +49 (0211) 346047
Fax : +49 (0211) 333639
E-mail : info@icomeurope.com
URL : <http://www.icomeurope.com>

Icom France s.a.s.

Zac de la Plaine,
1 Rue Brindejonn des Moulinais, BP 45804,
31505 Toulouse Cedex 5, France
Phone : +33 (5) 61 36 03 03
Fax : +33 (5) 61 36 03 00
E-mail : icom@icom-france.com
URL : <http://www.icom-france.com>

Icom (Australia) Pty. Ltd.

Unit 1 / 103 Garden Road,
Clayton, VIC 3168 Australia
Phone : +61 (03) 9549 7500
Fax : +61 (03) 9549 7505
E-mail : sales@icom.net.au
URL : <http://www.icom.net.au>

Icom Spain S.L.

Ctra. Rubi, No. 88 "Edificio Can Castanyer"
08190, Sant Cugat del Valles, Barcelona, Spain
Phone : +34 (93) 590 26 70
Fax : +34 (93) 589 04 46
E-mail : icom@icomspain.com
URL : <http://www.icomspain.com>

Icom Polska

Sopot, 3 maja 54, Poland
Phone : +48 (58) 550 7135
Fax : +48 (58) 551 0484
E-mail : icom.polska@icompolska.com.pl
URL : <http://www.icompolska.com.pl>