



VHF MARINE TRANSCEIVER

IC-M304

Submersible compact body with large LCD and powerful audio



Submersible
1m depth for 30 minutes



Compact and submersible

Equivalent to IPX7 (1m depth for 30 minutes, except cables).

Large easy-to-see LCD

Shows full size channel number with 4-step backlighting.

Built-in DSC

For distress calls, or for position request/position report.

New Force5Audio™ speaker

Delivers impressive audio output with powerful bass.

Favorite channel function

Offers quick channel selection from the microphone up/down buttons.

AquaQuake draining function

The vibrating “buzz” sound clears water away from the speaker grill.

Weather channel with weather alert

Listen for important weather broadcasts.

Dualwatch and Tri-watch functions

Monitors Ch.16 and/or call channel, while using another channel.

SPECIFICATIONS

GENERAL

- Frequency range : Tx 156.025–157.425MHz
Rx 156.050–163.275MHz
- Usable channels : USA, CAN, INT, WX channels
- Type of emission : 16K0G3E, 16K0G2B
- Power supply : 13.8V DC \pm 15%
- Current drain : Tx 5.5A (at 25W output) (at 13.8V DC)
Rx 1.5A (at AF max.)
- Operating temperature range: –20°C to +60°C; –4°F to +140°F
- Antenna impedance: 50 Ω (SO-239)
- Dimensions (W×H×D, projections not included) : 153×67×133mm ; 6 $\frac{1}{32}$ ×2 $\frac{5}{8}$ ×5 $\frac{1}{4}$ in.
- Weight (approx.) : 825g; 1.8lb
- NMEA formats : NMEA version 2.0 or 3.01 RMC, GGA, GNS, GLL

Measurements made in accordance with TIA/EIA 603. All stated specifications are subject to change without notice or obligation.

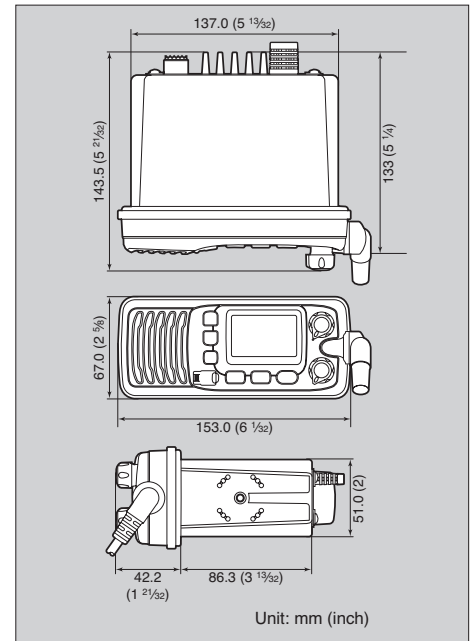
TRANSMITTER

- Output power : 25W or 1W (at 13.8V DC)
- Modulation system : Variable reactance frequency modulation
- Max. freq. deviation: \pm 5kHz
- Frequency error : \pm 10ppm
- Spurious emissions: Less than –70dBc (at 25W)
- Adj. channel power : More than 70dB
- Audio harmonic distortion : Less than 10% (at 60% dev.)
- Residual modulation: More than 40dB

RECEIVER

- Intermediate freq. : 1st 21.7MHz, 2nd 450kHz
- Sensitivity : 0.22 μ V typical at 12dB SINAD
- Squelch sensitivity: Less than 0.22 μ V
- Adj. Ch. selectivity : More than 70dB
- Spurious response: More than 70dB
- Intermodulation : More than 70dB
- Hum and noise : More than 40dB
- Audio output power : 4.5W typical at 10% distortion with a 4 Ω load

DIMENSIONS



OPTIONS

- **HM-164B/164SW/164G** HAND MICROPHONE
Black, super white and gray are available. Same as supplied.

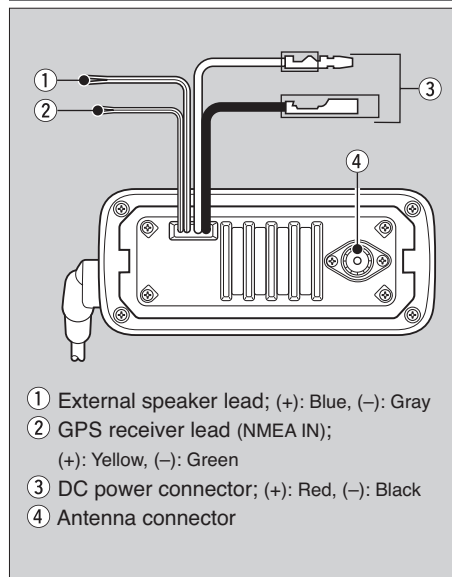
- **MB-69**
FLUSH MOUNT KIT
For flush-mounting the IC-M304 to a flat surface such as an instrument control panel.



- **MB-92** DUST COVER
Protects the IC-M304 from dust and strong sunlight when the radio is not in use.



REAR PANEL CONNECTIONS



Color versions:

- Black
- Super white
- Gray

Supplied accessories:

- Hand microphone
- DC power cable
- Mounting bracket kit

Applicable U.S. Military Specifications

The IC-M304 has been tested to and passed the following MIL-STD requirements and strict environmental standards.

Standard	MIL 810 F	
	Method	Procedure
Temperature Shock	503.4	I
Rain Blowing/Drip	506.4	I, III
Humidity	507.4	–
Salt Fog	509.4	–
Immersion	512.4	I
Vibration	514.5	I
Shock	516.5	I, IV

Also meets equivalent MIL-STD-810-C, -D and -E.

FORCE5AUDIO logo is a registered trademark of Icom Inc. (Japan) in the United States.

Icom Inc.

1-1-32, Kami-minami, Hirano-ku, Osaka 547-0003, Japan Phone: +81 (06) 6793 5302 Fax: +81 (06) 6793 0013

www.icom.co.jp/world

Count on us!

Icom America Inc.

2380 116th Avenue NE,
Bellevue, WA 98004, U.S.A.
Phone: +1 (425) 454-8155
Fax: +1 (425) 454-1509
E-mail: sales@icomamerica.com
URL: http://www.icomamerica.com

Icom Canada

Glenwood Centre #150-6165 Highway 17,
Delta, B.C., V4K 5B8, Canada
Phone: +1 (604) 952-4266
Fax: +1 (604) 952-0090
E-mail: info@icomcanada.com
URL: http://www.icomcanada.com

Icom (Australia) Pty. Ltd.

Unit 1 / 103 Garden Road,
Clayton, VIC 3168 Australia
Phone: +61 (03) 9549 7500
Fax: +61 (03) 9549 7505
E-mail: sales@icom.net.au
URL: http://www.icom.net.au

Icom New Zealand

146A Harris Road, East Tamaki,
Auckland, New Zealand
Phone: +64 (09) 274 4062
Fax: +64 (09) 274 4708
E-mail: inquiries@icom.co.nz
URL: http://www.icom.co.nz

Icom (Europe) GmbH

Communication Equipment
Auf der Krautweide 24
65812 Bad Soden am Taunus, Germany
Phone: +49 (6196) 76685-0
Fax: +49 (6196) 76685-50
E-mail: info@icomeurope.com
URL: http://www.icomeurope.com

Icom Spain S.L.

Ctra. Rubi, No. 88 "Edificio Can Castanyer"
Bajos A 08174, Sant Cugat del Valles,
Barcelona, Spain
Phone: +34 (93) 590 26 70
Fax: +34 (93) 589 04 46
E-mail: icom@icomspain.com
URL: http://www.icomspain.com

Icom (UK) Ltd.

Blacksale House, Altira Park,
Herne Bay, Kent, CT6 6GZ, U.K.
Phone: +44 (0)1227 741741
Fax: +44 (0)1227 741742
E-mail: info@icomuk.co.uk
URL: http://www.icomuk.co.uk

Icom France s.a.s.

Zac de la Plaine,
1 Rue Brindejonc des Moulinais, BP 45804,
31505 Toulouse Cedex 5, France
Phone: +33 (5) 61 36 03 03
Fax: +33 (5) 61 36 03 00
E-mail: icom@icom-france.com
URL: http://www.icom-france.com

Icom Polska

81-850 Sopot, ul. 3 Maja 54, Poland
Phone: +48 (58) 550 7135
Fax: +48 (58) 551 0484
E-mail: icompolska@icompolska.com.pl
URL: http://www.icompolska.com.pl

Asia Icom Inc.

6F No. 68, Sec. 1 Cheng-Teh Road,
Taipei, Taiwan, R.O.C.
Phone: +886 (02) 2559 1899
Fax: +886 (02) 2559 1874
E-mail: sales@asia-icom.com
URL: http://www.asia-icom.com

Your local distributor/dealer: