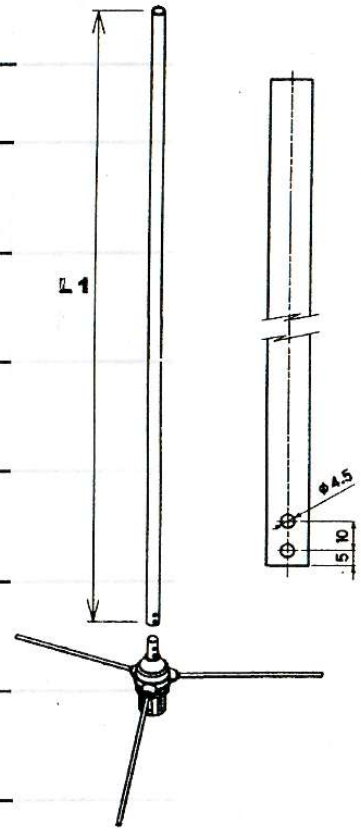


DIAMOND NEW MODEL

No. 04-018

Model No. BC101 Commercial Fix station antenna with Cutting chart

| | |
|------------------|------------------|
| Type | 5/8 wave GP |
| Freq. | 144 - 174 MHz |
| Gain | 3.5 dB |
| Impedance | 50 Ω |
| Max Power rating | 200 W |
| VSWR | Less than 1.5 |
| Length | 1.5 m(4.9 ft) |
| Weight | 0.86 Kg(1.9 lbs) |
| Mast Diameter | 30 - 60 ϕ |
| Connector | MJ |
| Production | APRIL, 2004 |
| Price | |

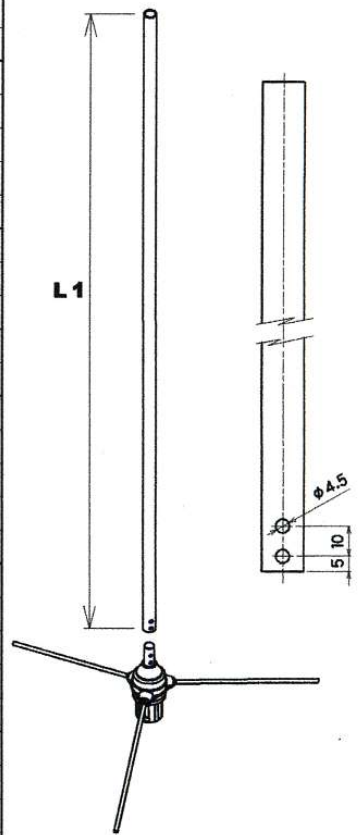
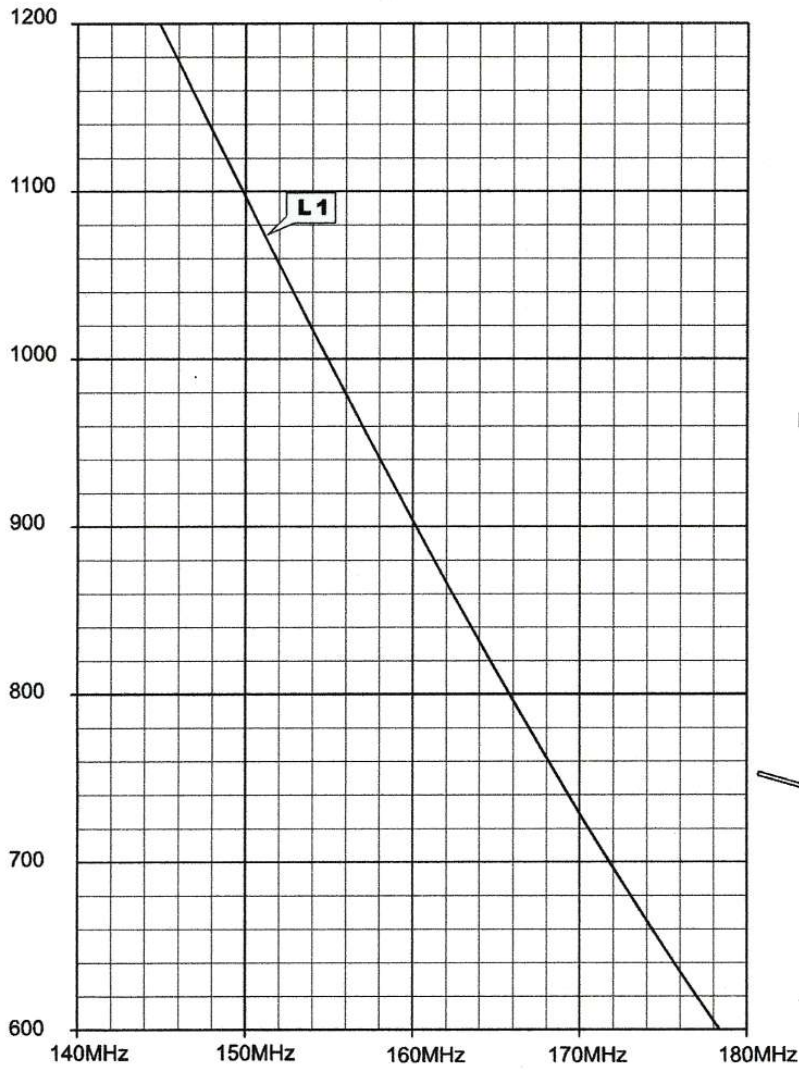


DIAMOND ANTENNA CORPORATION



BC101 CUTTING CHART

L(mm)



Frequency

040304 kos